



LaCie d2 Professional User Manual



Click here to access an up-to-date online version of this document. You will also find the most recent content as well as expandable illustrations, easier navigation, and search capability.

Contents

1	Introduction	4
	Box content	4
	Minimum System Requirements	4
	• Ports	4
	• operating system	4
	• Minimum free disk space	4
	Views	4
	• Front	4
	• Back	4
	Technical Specifications	5
	• Enclosure dimensions	5
	• Weight	5
	• Electrical	6
	Position and stacking	6
2	System LEDs	7
	Power button	7
	• Power on	7
	• Power off	8
	Power-saving mode	8
	• Manually initiating power-saving mode	8
	• Power-saving mode: managed by the PC/Mac	8
	• Exiting power-saving mode	8
	LED status	9
	Receiving power	9
3	Cable and Connectors	11
	USB-C protocols	11
	USB-C cable	11
4	Getting Connected	12
	STEP 1 – Connect the USB-C cable	12
	STEP 2 - Prepare and connect the power supply	12
	STEP 3 - Set up LaCie d2 Professional	13
	Storage format	14
	Disconnecting the hard drive	14
5	Works with iPad USB-C	16
6	Safely Remove Device From Your Computer	17
	Windows	17
	Mac	17
	• Eject via Finder window	17
	• Eject via Desktop	17

7	Optional Formatting	18
	Choosing a file system format	18
	• Compatibility with both Windows and Macs	18
	• Optimised performance for Windows	18
	• Optimised performance for macOS	18
	• Learn more	19
	Formatting instructions	19
8	Frequently Asked Questions	20
	All users	20
	• Problem: My file transfers are too slow	20
	• Problem: I have an older computer with USB 3.0 (Type A) ports	20
	• Problem: I must use a USB hub for my USB devices	20
	• Problem: The provided USB cables are too short	21
	• Problem: I'm receiving file transfer error messages	21
	Mac	21
	• Problem: I want to use my device with Time Machine	21
	• Problem: The hard drive icon doesn't appear on my Mac's desktop	21
	Windows	22
	• Problem: The hard drive icon doesn't appear on my Mac's desktop	22
9	Regulatory Compliance	23
	FCC Declaration of Conformance	23
	FCC Class A Information	23
	FCC Caution	23
	Important Note: FCC Radiation Exposure Statement	24
	China Restriction of Hazardous Substances (RoHS)	24
	Taiwan Restriction of Hazardous Substances (RoHS)	25
	Industry Canada	25
	Important Note for mobile device use	26
	Note Importante pour l'utilisation de dispositifs mobiles	26
	Europe – EU Declaration of Conformity	26
	Power source	28

Introduction

LaCie d2 Professional is ideal for professional editors, photographers and graphic artists who work with bandwidth-intensive content such as 4K video and 3D graphics.

Box content

- LaCie d2 Professional
- USB-C (USB 3.1 Gen 2) cable
- External power supply
- Quick Installation Guide



Important — Save your packaging. If you experience problems with your hard drive and want to exchange it, the hard drive must be returned in its original packaging.

Minimum System Requirements

Ports

Use the included cable to connect your LaCie device to a computer with a USB-C port.

operating system

Go to [Operating System Requirements for Seagate Hardware & Software](#)

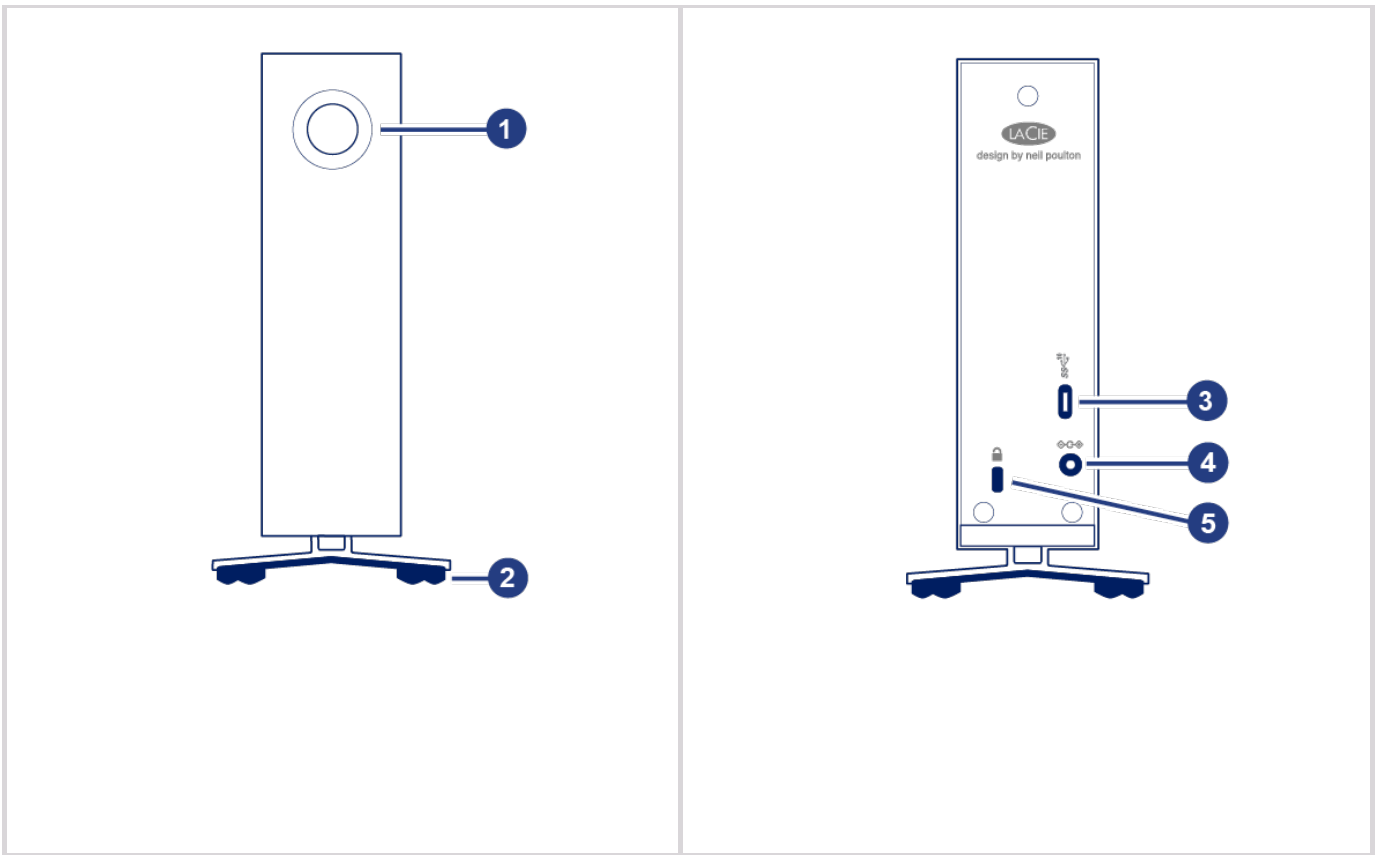
Minimum free disk space

600 MB recommended.

Views

Front

Back



1. Multi-function status LED / power button
2. Vibration-dampening rubber feet
3. USB 3.1 Gen 2 (port
4. Power supply connection
5. Kensington® lock slot

Technical Specifications

Enclosure dimensions

Side	Dimensions (mm/in)
Width	60 / 2.36
Height	30 / 5.12
Length	195 / 7.68

Weight

Capacity	Weight (kg/lbs)
4 TB	1.3 / 2.87
6 TB	1.3 / 2.87
10 TB	1.3 / 2.87

Electrical

Power supply	
100-240V	
50/60 Hz	
18W	

Power supply barrel dimensions (mm)	
Inner Diameter	2.5
Outer Diameter	5.5
Length	11.5

! Use only the power supply provided with your LaCie d2 Professional. Power supplies from third-party devices and other LaCie products can damage your 2big RAID.

Position and stacking

Always make certain to place your LaCie 2big RAID on a flat, even surface that can support the heat output and airflow of a professional hard drive enclosure. For proper heat dissipation, d2 Professional is designed to stand upright. Do not place the enclosure on its side when it is powered on.

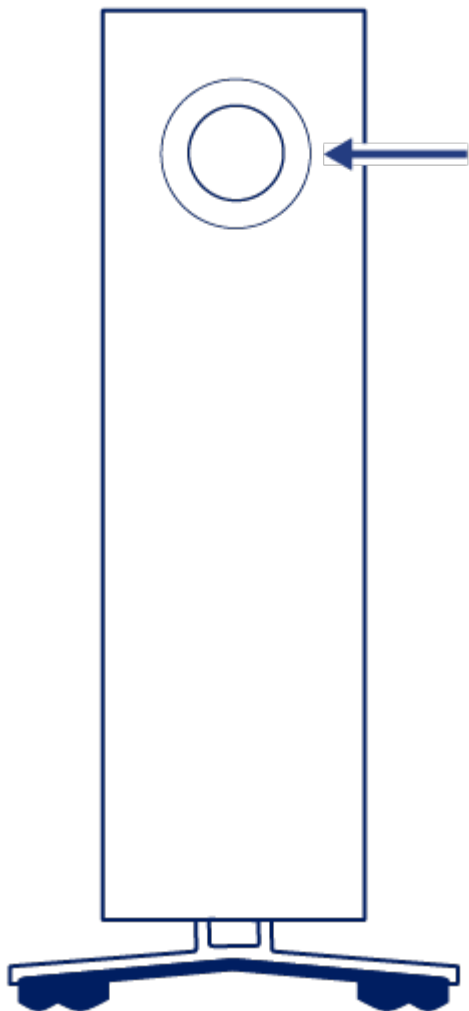
The device does not support stacking. Do not stack other drives, enclosures, or equipment on top of the enclosure.

The warranty for your d2 Professional will be voided if you:

- Stack d2 Professional on another device.
- Stack other drives, enclosures, or equipment on top of d2 Professional.

System LEDs

LaCie d2 Professional features a multi-functional LED and power button on the front of the enclosure.



Power button

Power on

In most instances, LaCie 2big RAID powers on automatically when connected to a computer and an active power source. However, the power button can be used to power on the device if the following two conditions are met:

- The device was powered off using a long press.
- The device remains connected to the computer's USB port and an active power source.

To power on the device, push the LED button for one second.

Power off

Follow the steps below to turn the device off:

1. Make certain that d2 Professional's volumes are not being accessed.
2. Eject the volumes. See [Safely Remove Device From Your Computer](#) for details. Once the volumes have been properly ejected, the device enters power-saving mode.
3. Apply a long press (minimum four seconds) to the LED button. The LED turns solid blue before turning off.

Power-saving mode

Your d2 Professional can conserve energy by entering power-saving mode. The hard drive within the enclosure spins down to reduce power consumption when the device is in power-saving mode. Power-saving mode can extend the life of the hard drives by sparing them from working during extended periods of inactivity.

Manually initiating power-saving mode

You can place d2 Professional in power-saving mode using the LED button.

1. Make certain that d2 Professional's volumes are not being accessed.
2. Eject the volumes. See [Safely Remove Device From Your Computer](#) for details. Once the volumes have been properly ejected, the device enters power-saving mode.
3. Apply a short press to the power button. A short press lasts no longer than 1 second.

To wake up the device, apply another short press to the LED button.

Power-saving mode: managed by the PC/Mac

You can initiate power-saving mode on your computer.

1. Place the host computer into sleep mode.
2. Go to System Preferences > Energy Saver **to enable sleep mode for hard drives.**

Go to **Control Panel > Hardware > Power Options > Choose a power plan > Change advanced power settings.** Click on **Hard disk** and **Turn off the hard disk after.** Choose the time to spin down USB hard drives.

Exiting power-saving mode

To exit power-saving mode, review the table below:

Entering power-saving mode	Exiting power-saving mode
----------------------------	---------------------------

Entering power-saving mode	Exiting power-saving mode
The host computer placed the product into power-saving mode due to inactivity.	Access d2 Professional's volume on the host computer. For example, copy files to its volume.
The computer is in sleep mode.	Wake up the computer.

LED status

The LED helps you identify the general status of your d2 Professional.

LED	County
Off	The device is turned off. The USB-C cable is not connected to a computer that is turned on and/or the power cable is not connected to a live power outlet.
Solid blue	Device is ready.
Blinking blue	During normal operation, the LED blinks to indicate access to the hard drive.
Slow blinking blue, 10 second interval	The device is in power-saving mode because the host computer is in sleep mode.
Fast blinking blue	Device starting up or shutting down.
Blinking red, 1 second interval	Temperature warning.
Solid red	Temperature critical.

Receiving power

LaCie d2 Professional powers on automatically when it meets the following two conditions:

- Connected directly to a computer. The computer must be powered on.
- Connected to a live power source via the included power supply.



Use only the power supply provided with your LaCie d2 Professional. Power supplies from third-party devices and other LaCie products can damage your 2big RAID.

Cable and Connectors

USB-C protocols

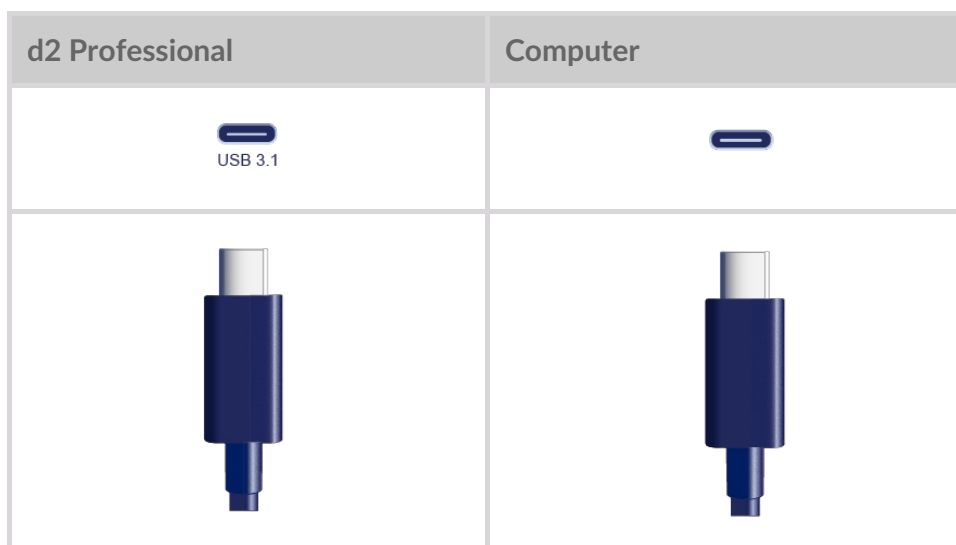
USB is a serial input/output technology for connecting peripheral devices to a computer. USB-C is the latest implementation of this standard and it provides higher bandwidth and new power management features.

USB-C supports many protocols:

Thunderbolt 3	Transfer rates up to 40 Gb/s
USB 3.1 Gen 2	Transfer rates up to 10 Gb/s
USB 3.1 Gen 1	Transfer rates up to 5 Gb/s
SuperSpeed USB 3.0	Transfer rates up to 5 Gb/s
Hi-Speed USB 2.0	Transfer rates up to 480 MB/s

USB-C cable

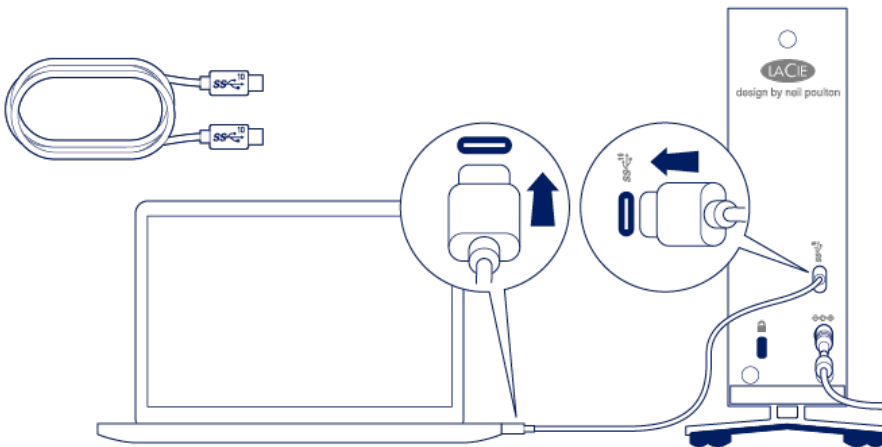
Use the USB-C to USB-C cable to connect 2big RAID to a USB-C (USB 3.1 or Thunderbolt 3) port on your computer.



Getting Connected

STEP 1 - Connect the USB-C cable

Use the USB-C cable to connect 2big RAID to a USB-C (USB 3.1 or Thunderbolt 3) port on your computer.

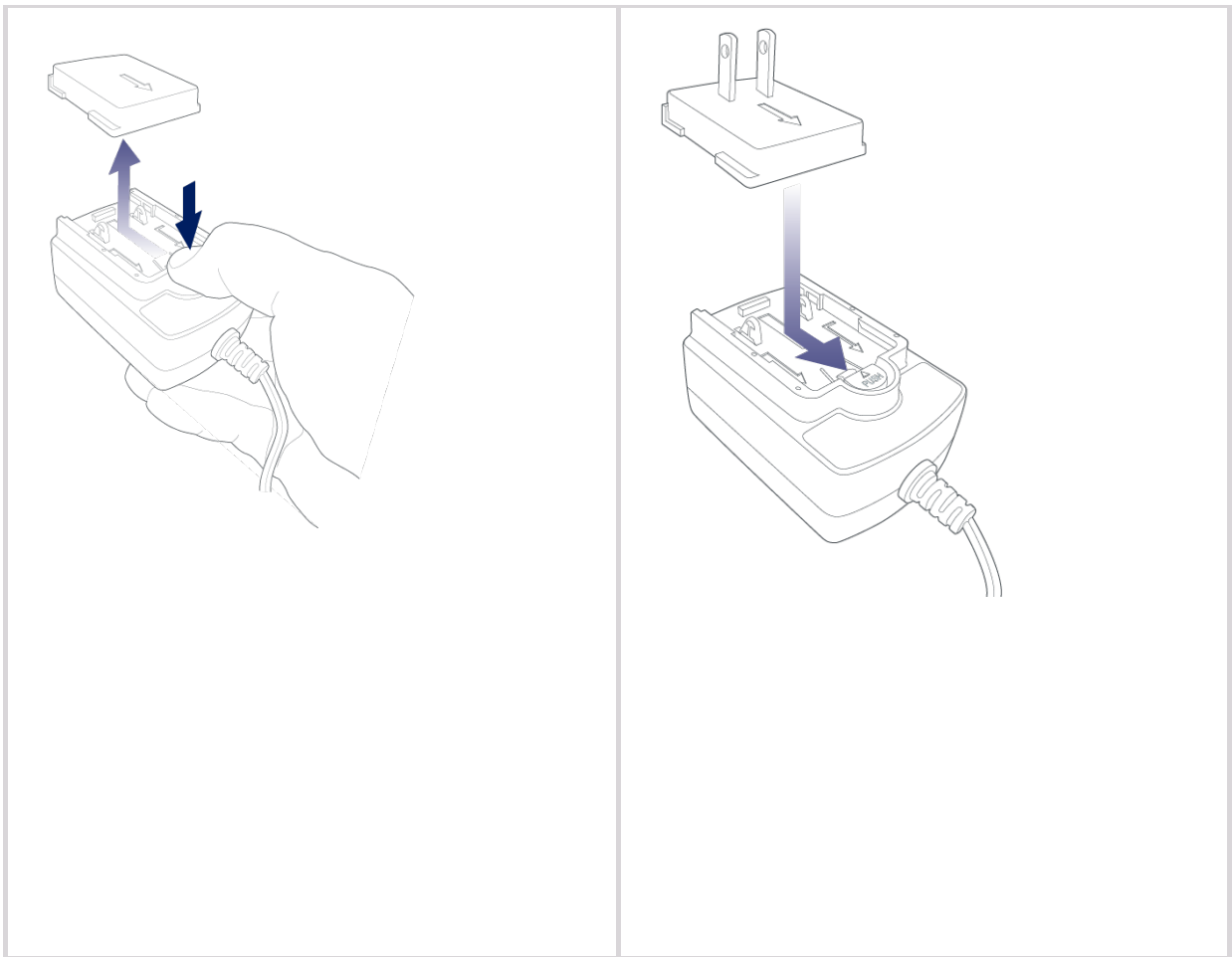


STEP 2 - Prepare and connect the power supply

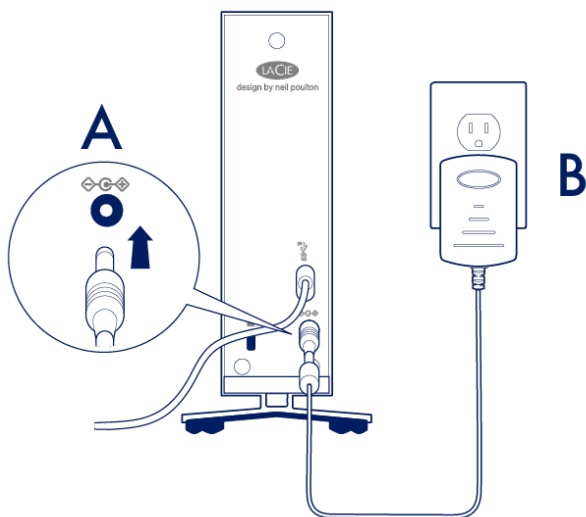
LaCie d2 Professional will power on automatically when it is connected to a computer that is turned on and a live power outlet.

! Power supplies from third-party devices and other LaCie products can damage your 2big RAID.

1. Press the release tab on the universal power supply to unlock the safety cover. Slide the cover back to remove it.
2. Place the adapter plug for your location into the channel on the power supply. Slide it down to lock it in place.



3. Connect the power cable to the power input on d2 Professional, and then connect the power supply to a live power outlet.



STEP 3 - Set up LaCie d2 Professional

The setup process lets you:

<p>Register your device</p>	<p>Get the most from your device with easy access to information and support.</p>
------------------------------------	---

1. Using a file manager such as File Explorer or Finder, open LaCie 2big RAID and launch Start Here Mac or Start Here Win.



2. Follow the onscreen instructions.



Your computer must be connected to the internet to install Toolkit.

Learn more about Toolkit

Toolkit provides useful tools that let you easily:

- Manage backup plans (Windows only).
- Create mirror folders.

For details on Toolkit features, see the [Toolkit user manual](#).

Storage format

LaCie d2 Professional is delivered preformatted as exFAT for compatibility with both Windows and Mac computers. If you use the drive with only one type of computer, you can optimise file copy performance by formatting the drive in the native file format for your operating system. Choose one of the following methods to optimize your drive:

- Use Toolkit to optimize disk format. See the [Toolkit user manual](#) for details.
- Manually format your drive. See [Optional Formatting](#) for details.

Disconnecting the hard drive

In order to avoid file system corruption, it's important to unmount the drive volumes before disconnecting the interface cable. See [Safely Remove Device From Your Computer](#) for details.

Works with iPad USB-C

Your LaCie storage devices can be used with higher-end iPads. This is a great option for moving files between computers, cloud services and external storage. The iPad is also a perfect mobile editing station for importing media to more advanced imaging and video apps.

See [External Storage and iPadOS](#) for details on the following:

- Connecting Storage to Compatible iPads
- Available Actions
- Selecting Multiple Items
- Accessing Storage Devices in an App
- Supported External Storage Devices and USB Hubs
- External Storage Performance on iPad Versus a Computer
- Thunderbolt Storage Devices
- Battery Use
- Ejecting
- Storage Formats
- Password Protection
- Toolkit and First Use Connections

Safely Remove Device From Your Computer

Always eject a storage drive from your computer before physically disconnecting it. Your computer must perform filing and housekeeping operations on the drive before it is removed. Therefore, if you unplug the drive without using the operating system's software, your files can become corrupt or damaged.

Windows

Use the Safely Remove tool to eject a device.

1. Click the Safely Remove Hardware icon in your Windows System Tray to view the devices you can eject.
2. If you don't see the Safely Remove Hardware icon, click the Show hidden icons arrow in the system tray to display all icons in the notification area.
3. In the list of devices, choose the device you want to eject. Windows displays a notification when it is safe to remove the device.
4. Disconnect the device from the computer.

Mac

There are several ways you can eject your device from a Mac. See below for two options.

Eject via Finder window

1. Open a Finder window.
2. On the sidebar, go to Devices and locate the drive you want to eject. Click the eject symbol to the right of the drive name.
3. Once the device disappears from the sidebar or, the Finder window closes, you can disconnect the interface cable from your Mac.

Eject via Desktop

1. Select the desktop icon for your device and drag it to the Recycle Bin.
2. When the device icon is no longer visible on your desktop, you can physically disconnect the device from your Mac.

Optional Formatting

Your device is preformatted exFAT (Extended File Allocation Table) for compatibility with both Mac and Windows computers.

Choosing a file system format

When choosing a file system format, consider whether **compatibility** or **performance** is more important in your everyday use of the drive.

- **Compatibility** – You need a cross-platform format because you connect your drive to both PCs and Macs.
- **Performance** – You connect your drive with only one type of computer, so you can optimise file copy performance by formatting the drive in the native file system for your computer operating system.

Compatibility with both Windows and Macs

exFAT is a lightweight file system compatible with all versions of Windows and modern versions of macOS. If you use your drive with both PCs and Macs, format your drive in exFAT. While exFAT offers cross-platform access to both computers, keep in mind the following:

- exFAT is not compatible or recommended for built-in backup utilities such as File History (Windows) and Time Machine (macOS). If you want to use one of these backup utilities, you should format the drive in the native file system for the computer running the utility.
- exFAT is not a journaled file system, which means it can be more susceptible to data corruption when errors occur or the drive is not disconnected properly from the computer.

Optimised performance for Windows

NTFS (New Technology File System) is a proprietary journaling file system for Windows. macOS can read NTFS volumes, but it can't natively write to them. This means your Mac can copy files from an NTFS-formatted drive, but it can't add files to or remove files from the drive. If you need more versatility than this one-way transfer with Macs, consider exFAT.

Optimised performance for macOS

Apple offers two proprietary file systems.

Mac OS Extended (also known as Hierarchical File System Plus or HFS+) is an Apple file system used since 1998 for mechanical and hybrid internal drives. macOS Sierra (version 10.12) and earlier use HFS+ by default.

APFS (Apple File System) is an Apple file system optimised for solid state drives (SSDs) and flash-based

storage systems, though it also works with hard disk drives (HDDs). It was first introduced with the release of macOS High Sierra (version 10.13). APFS can only be read by Macs running High Sierra or later.

When choosing between Apple file systems, consider the following:

- Windows cannot natively read or write to APFS or HFS+ volumes. If you need cross-platform compatibility, you should format the drive in exFAT.
- If you intend to use your drive with Time Machine:
 - The default format for macOS Big Sur (version 11) and later is APFS.
 - The default format for macOS Catalina (version 10.15) and earlier is HFS+.
- If you intend to use your drive to move files between Macs running older OS versions, consider formatting your drive in HFS+ rather than APFS.
- macOS file systems and Android: Formatting your drive for macOS may not be supported with connections to Android mobile devices.

Learn more

For additional considerations when choosing a file system format, see [File System Format Comparisons](#).

Formatting instructions

For instructions on formatting your drive, see [How to format your drive](#)

Frequently Asked Questions

For help setting up and using your LaCie hard drive, review the frequently asked questions below.

All users

Problem: My file transfers are too slow

Q: Are both ends of the USB cable firmly attached?

A: Review troubleshooting tips for cable connections below:

- Check both ends of the USB cable and make sure that they are fully seated in their respective ports.
- Try disconnecting the cable, waiting 10 seconds, and then reconnecting it.
- Try a different USB cable.

Q: Are there other USB devices connected to the same port or hub?

A: Disconnect other USB devices and see if the hard drive's performance improves.

Q: Is the hard drive connected to a Hi-Speed USB 2.0 port on your computer or hub?

A: If your hard drive is connected to a Hi-Speed 2.0 port or hub, the inferior performance is normal. Seagate Backup Plus performance will improve when it is connected to a USB 3.1 port or a SuperSpeed USB 3.0 port. Otherwise, the device operates at slower USB transfer rates.

Problem: I have an older computer with USB 3.0 (Type A) ports

Q: Will my hard drive's USB 3.1 Gen 1 port work with my computer's USB 3.0 port?

A: Yes, the device is compatible with USB 3.0 ports, however, the product does not include a cable with a USB Type A connector. Transfer rates are much slower with USB 3.0.

Problem: I must use a USB hub for my USB devices

Q: Can I use my hard drive with a USB hub?

A: Yes, the hard drive can be connected to a USB hub. If you use a hub and encounter detection problems, slower than normal transfer rates, random disconnection from your computer or other unusual issues, try connecting the hard drive directly to the computer's USB port.

Some USB hubs are less than efficient with power management, which can be problematic for connected devices. If you encounter this issue, consider trying a powered USB hub that includes a power cable.

Problem: The provided USB cables are too short

Q: Can I use my hard drive with a longer cable?

A: Yes, provided it is certified according to USB standards. However, LaCie recommends using the cable shipped with your hard drive for the best results. If you use a longer cable and experience problems with detection, transfer rates or disconnection, use the original cable included with your hard drive.

Problem: I'm receiving file transfer error messages

Q: Did you get an "Error -50" message while copying to a FAT32 volume?

A: When copying files or folders from a computer to a FAT32 volume, certain characters in the names cannot be copied. These characters include, but are not limited to: ? < > / \ :

Check your files and folders to ensure that these characters are not in the names.

If this is a recurring problem or you cannot find files with incompatible characters, consider reformatting the drive to NTFS (Windows users) or HFS+ (Mac users). See [Optional Formatting](#).

Q: Did you get an error message telling you that the drive has been disconnected when coming out of sleep mode?

A: Ignore this message since the drive remounts on the desktop despite the pop-up. LaCie drives conserve power by spinning down when you set your computer to sleep mode. When the computer awakes from sleep mode, the drive may not have enough time to spin up, causing the pop-up to appear.

Mac

Problem: I want to use my device with Time Machine.

Q: Can I use my device with Time Machine?

A: Yes. The drive is preformatted exFAT for use with both PC and Mac. For Time Machine, it must be reformatted to Mac. Reformatting will delete all data previously stored on the drive. Go to www.seagate.com/time-machine for more details..

Problem: The hard drive icon doesn't appear on my Mac's desktop.

Q: Is your Finder configured to hide hard drives on the desktop?

Go to Finder and then check **Preferences > General tab > Show these items on the desktop**

Q: Is your hard drive mounting in the operating system?

If the hard drive is listed in the left-hand column, check your Finder preferences to see why it is not displayed on the desktop (review the question above).

Q: Does your computer's configuration meet the minimum system requirements for use with this hard drive?

Q: Did you follow the correct installation steps for your operating system?

A: Review the installation steps in [Getting Connected](#).

Windows

Problem: The hard drive icon doesn't appear on my Mac's desktop.

Q: Is the hard drive listed in Device Manager?

A: All drives appear in at least one place in Device Manager. Type **Device Manager** in Search to launch it. Look in the **Disk Drives** section and, if necessary, click the Plus (+) icon to view the full list of devices. If you're uncertain that your drive is listed, safely unplug it and then reconnect it. The entry that changes is your LaCie hard drive.

Q: Is your hard drive listed next to an unusual icon?

A: Windows Device Manager usually provides information about failures with peripherals. While the Device Manager can assist with troubleshooting most problems, it may not display the exact cause or provide a precise solution.

An unusual icon next to the hard drive can reveal a problem. For example, instead of the normal icon based on the type of device, it has an exclamation mark, question mark or an X. Right-click this icon and then choose **Properties**. The **General** tab provides a potential reason why the device is not working as expected.

Regulatory Compliance

Equipment Name	External Hard Drive
Regulatory Model Number	LRDMU03

FCC Declaration of Conformance

This device complies with Part 15 of the FCC Rules. Operation is subject to the following two conditions: (1) this device may not cause harmful interference, and (2) this device must accept any interference received, including interference that may cause undesired operation.

FCC Class A Information

This equipment has been tested and found to comply with the limits for a Class A digital device, pursuant to Part 15 of the FCC Rules. These limits are designed to provide reasonable protection against harmful interference in a residential installation. This equipment generates, uses and can radiate radio frequency energy and, if not installed and used in accordance with the instructions, may cause harmful interference to radio communications. However, there is no guarantee that interference will not occur in a particular installation.

If this equipment does cause harmful interference to radio or television reception, which can be determined by turning the equipment off and on, the user is encouraged to try to correct the interference by one of the following measures:

- Reorient or relocate the receiving antenna.
- Increase the separation between the equipment and receiver.
- Connect the equipment into an outlet on a circuit different from that to which the receiver is connected.
- Consult the dealer or an experienced radio/TV technician for help.

This device complies with Part 15 of the FCC Rules. Operation is subject to the following two conditions: (1) This device may not cause harmful interference, and (2) this device must accept any interference received, including interference that may cause undesired operation.

FCC Caution

Any changes or modifications not expressly approved by the party responsible for compliance could void the user's authority to operate this equipment.

Important Note: FCC Radiation Exposure Statement

This equipment complies with FCC radiation exposure limits set forth for an uncontrolled environment. This equipment should be installed and operated with minimum distance 20cm between the radiator and your body. This transmitter must not be co-located or operating in conjunction with any other antenna or transmitter. The availability of some specific channels and/or operational frequency bands are country dependent and are firmware programmed at the factory to match the intended destination. The firmware setting is not accessible by the end user.

China Restriction of Hazardous Substances (RoHS)



China RoHS 2 refers to the Ministry of Industry and Information Technology Order No. 32, effective July 1, 2016, titled Management Methods for the Restriction of the Use of Hazardous Substances in Electrical and Electronic Products. To comply with China RoHS 2, we determined this product’s Environmental Protection Use Period (EPUP) to be 20 years in accordance with the Marking for the Restricted Use of Hazardous Substances in Electronic and Electrical Products, SJT 11364-2014.

中国 RoHS 2 是指 2016 年 7 月 1 日起施行的工业和信息化部令第 32 号“电力电子产品限制使用有害物质管理办法”。为了符合中国 RoHS 2 的要求，我们根据“电子电气产品有害物质限制使用标识”(SJT 11364-2014) 确定本产品的环保使用期 (EPUP) 为 20 年。

产品中有毒物质的名称及含有的信息表 Names and information of hazardous substances in product										
有害物质 Hazardous Substances										
部件名称 Part Name	铅 (Pb)	汞 (Hg)	镉 (Cd)	六价铬 (Cr ⁶⁺)	多溴联苯 (PBBs)	多溴二苯醚 (PBDEs)	邻苯二甲酸 苯基丁基酯 (DBP)	邻苯二甲酸二 异丁酯 (DIBP)	邻苯二甲酸 甲苯基丁酯 (BBP)	邻苯二甲酸二 (2-乙基己基)酯 (DEHP)
硬盘驱动器 HDD	X	○	○	○	○	○	○	○	○	○
外接硬盘印刷电路板 Bridge PCBA	X	○	○	○	○	○	○	○	○	○
电源(如果提供) Power Supply (if provided)	X	○	○	○	○	○	○	○	○	○
接口电缆(如果提供) Interface cable (if provided)	○	○	○	○	○	○	○	○	○	○
其他外壳组件 Other enclosure components	○	○	○	○	○	○	○	○	○	○
<p>注 1: ○: 表示该有害物质在该部件所有均质材料中的含量均不超出电器电子产品有害物质限制使用国家标准要求。 X: 表示该有害物质至少在该部件的某一均质材料中的含量超出电器电子产品有害物质限制使用国家标准要求。</p> <p>注 2: 以上未列出的部件, 表明其有害物质含量均不超出电器电子产品有害物质限制使用国家标准要求。</p> <p>Note 1: ○: Indicates that the content of the hazardous substance in all homogeneous materials of this component does not exceed the requirements of the national standard for the restricted use of hazardous substances in electrical and electronic products. X: Indicates that the content of the hazardous substance in at least one homogeneous material of this component exceeds the requirements of the national standard for the restricted use of hazardous substances in electrical and electronic products.</p> <p>Note 2: For components not listed above, their hazardous substance content does not exceed the requirements of the national standard for the restricted use of hazardous substances in electrical and electronic products.</p>										

Taiwan Restriction of Hazardous Substances (RoHS)

Taiwan RoHS refers to the Taiwan Bureau of Standards, Metrology and Inspection's (BSMI's) requirements in standard CNS 15663, Guidance to reduction of the restricted chemical substances in electrical and electronic equipment. Beginning on January 1, 2018, Seagate products must comply with the "Marking of presence" requirements in Section 5 of CNS 15663. This product is Taiwan RoHS compliant. The following table meets the Section 5 "Marking of presence" requirements.

台灣RoHS是指台灣標準局計量檢驗局(BSMI)對標準CNS15663要求的減排電子電氣設備限用化學物質指引。從2018年1月1日起, Seagate產品必須符合CNS15663第5節「含有標示」要求。本產品符合台灣RoHS。下表符合第5節「含有標示」要求。

設備名稱: 外接式硬碟, 型號:LRDOTU5,RUGU3M2, LRDMU03, LRDOTU6 Equipment Name: External Hard Drive, Model:LRDOTU5,RUGU3M2, LRDMU03, LRDOTU6							
單元 Unit	限用物質及其化學符號 Restricted Substance and its chemical symbol						
	鉛 Lead (Pb)	汞 Mercury (Hg)	鎘 Cadmium (Cd)	六價鉻 Hexavalent chromium (Cr ⁶⁺)	多溴聯苯 Polybrominated biphenyls (PBB)	多溴二苯醚 Polybrominated diphenyl ethers (PBDE)	
硬碟驅動器 HDD	—	○	○	○	○	○	
外接硬碟印刷電路板 Bridge PCBA	—	○	○	○	○	○	
電源 (如果提供) Power Supply (if provided)	—	○	○	○	○	○	
傳輸線材 (如果提供) Interface cable (if provided)	○	○	○	○	○	○	
其他外殼組件 Other enclosure components	○	○	○	○	○	○	
備考1. "超出0.1 wt %" 及 "超出0.01 wt %" 係指限用物質之百分比含量超出百分比含量基準值。 Note 1: "Exceeding 0.1 wt %" and "exceeding 0.01 wt %" indicate that the percentage content of the restricted substance exceeds the reference percentage value of presence condition. 備考2. "○" 係指該項限用物質之百分比含量未超出百分比含量基準值。 Note 2: "○" indicates that the percentage content of the restricted substance does not exceed the percentage of reference value of presence. 備考3. "—" 係指該項限用物質為排除項目。 Note 3: The "—" indicates that the restricted substance corresponds to the exemption.							

LRDOTU5,RUGU3M2, LRDOTU6

額定電壓/額定電流: 5VDC == 1.0A 操作溫度: 5 - 40 °C

LRDMU03

額定電壓/額定電流: 12VDC == 1.5A 操作溫度: 5 - 40 °C

本設備勿置於潮濕處。
請將產品置於手冊規定的環境使用溫度, 以避免過熱。
連接至電源前, 請先檢查電壓。

當設備不用時, 請將所有電源線拔除, 避免電壓不穩而造成傷害。
勿將任何液體濺入設備中, 避免線路短路。
請勿自行調整或修理已通電的設備, 以確保您的安全。

Industry Canada

This device complies with RSS-210 of the Industry Canada Rules. Operation is subject to the following two conditions: (1) This device may not cause harmful interference, and (2) this device must accept any

interference received, including interference that may cause undesired operation.

Ce dispositif est conforme à la norme CNR-210 d'Industrie Canada applicable aux appareils radio exempts de licence. Son fonctionnement est sujet aux deux conditions suivantes: (1) le dispositif ne doit pas produire de brouillage préjudiciable, et (2) ce dispositif doit accepter tout brouillage reçu, y compris un brouillage susceptible de provoquer un fonctionnement indésirable.

Important Note for mobile device use

Radiation Exposure Statement: This equipment complies with IC radiation exposure limits set forth for an uncontrolled environment. This equipment should be installed and operated with minimum distance 20cm between the radiator & your body.

Note Importante pour l'utilisation de dispositifs mobiles

Déclaration d'exposition aux radiations:

Cet équipement est conforme aux limites d'exposition aux rayonnements IC établies pour un environnement non contrôlé. Cet équipement doit être installé et utilisé avec un minimum de 20 cm de distance entre la source de rayonnement et votre corps.

Europe – EU Declaration of Conformity

This device complies with the essential requirements of the EMC Directive 2004/108/EC. The following test methods have been applied in order to prove presumption of conformity with the essential requirements of the EMC Directive 2004/108/EC:

- EN 60950-1:2006/AC:2011: Information technology equipment - Safety - Part 1: General requirements
- EN 55022: 2010/AC:2011: Information technology equipment - Radio disturbance characteristics
 - Limits and methods of measurement
- EN 55024: 2010: Information technology equipment - Immunity characteristics - Limits and methods of measurement

Česky [Czech]	LaCie tímto prohlašuje, že tento direct attached storage device je ve shodě se základními požadavky a dalšími příslušnými ustanoveními směrnice 2004/5/ES.
Dansk [Danish]	Undertegnede LaCie erklærer herved, at følgende udstyr direct attached storage device overholder de væsentlige krav og øvrige relevante krav i direktiv 2004/5/EF.
Deutsch [German]	Hiermit erklärt LaCie, dass sich das Gerät direct attached storage device in Übereinstimmung mit den grundlegenden Anforderungen und den übrigen einschlägigen Bestimmungen der Richtlinie 2004/5/EG befindet.

Eesti [Estonian]	Käesolevaga kinnitab LaCie seadme direct attached storage device vastavust direktiivi 2004/5/EÜ põhinõuetele ja nimetatud direktiivist tulenevatele teistele asjakohastele sätetele.
English	Hereby, LaCie, declares that this direct attached storage device is in compliance with the essential requirements and other relevant provisions of Directive 2004/5/EC.
Español [Spanish]	Por medio de la presente LaCie declara que el direct attached storage device cumple con los requisitos esenciales y cualesquiera otras disposiciones aplicables o exigibles de la Directiva 2004/5/CE.
Ελληνική [Greek]	ΜΕ ΤΗΝ ΠΑΡΟΥΣΑ LaCie ΔΗΛΩΝΕΙ direct attached storage device ΣΥΜΜΟΡΦΩΝΕΤΑΙ ΠΡΟΣ ΤΙΣ ΟΥΣΙΩΔΕΙΣ ΑΠΑΙΤΗΣΕΙΣ ΚΑΙ ΤΙΣ ΛΟΙΠΕΣ ΣΧΕΤΙΚΕΣ ΔΙΑΤΑΞΕΙΣ ΤΗΣ ΟΔΗΓΙΑΣ 2004/5/ΕΚ.
Français [French]	Par la présente LaCie déclare que l'appareil direct attached storage device est conforme aux exigences essentielles et aux autres dispositions pertinentes de la directive 2004/5/CE.
Italiano [Italian]	Con la presente LaCie dichiara che questo direct attached storage device è conforme ai requisiti essenziali ed alle altre disposizioni pertinenti stabilite dalla direttiva 2004/5/CE.
Latviski [Latvian]	Ar šo LaCie deklarē, ka direct attached storage device atbilst Direktīvas 2004/104/EK būtiskajām prasībām un citiem ar to saistītajiem noteikumiem.
Lietuvių [Lithuanian]	Šiuo LaCie deklaruoja, kad šis direct attached storage device atitinka esminius reikalavimus ir kitas 2004/104/EB Direktyvos nuostatas.
Nederlands [Dutch]	Hierbij verklaart LaCie dat het toestel direct attached storage device in overeenstemming is met de essentiële eisen en de andere relevante bepalingen van richtlijn 2004/104/EG.
Malti [Maltese]	Hawnhekk, LaCie, jiddikjara li dan direct attached storage device jikkonforma mal-ħtiġijiet essenzjali u ma provvedimenti oħrajn rilevanti li hemm fid-Dirrettiva 2004/104/EC.
Magyar [Hungarian]	Alulírott, LaCie nyilatkozom, hogy a direct attached storage device megfelel a vonatkozó alapvető követelményeknek és az 2004/104/EC irányelv egyéb előírásainak.
Polski [Polish]	Niniejszym LaCie oświadcza, że direct attached storage device jest zgodny z zasadniczymi wymogami oraz pozostałymi stosownymi postanowieniami Dyrektywy 2004/104/EC.
Português [Portuguese]	LaCie declara que este direct attached storage device está conforme com os requisitos essenciais e outras disposições da Directiva 2004/104/CE.
Slovensko [Slovenian]	LaCie izjavlja, da je at direct attached storage device v skladu z bistvenimi zahtevami in ostalimi relevantnimi določili direktive 2004/104/ES.
Slovensky [Slovak]	LaCie týmto vyhlasuje, že direct attached storage device spĺňa základné požiadavky a všetky príslušné ustanovenia Smernice 2004/104/ES.

Suomi [Finnish]	LaCie vakuuttaa täten että direct attached storage device tyyppinen laite on direktiivin 2004/104/EY oleellisten vaatimusten ja sitä koskevien direktiivin muiden ehtojen mukainen.
Svenska [Swedish]	Härmed intygar LaCie att denna direct attached storage device står i överensstämmelse med de väsentliga egenskapskrav och övriga relevanta bestämmelser som framgår av direktiv 2004/104/EG.

Power source



Caution: Use the product with the provided power cable only.



Note: To protect your data, always follow the safe removal procedures for your operating system when disconnecting your product.